

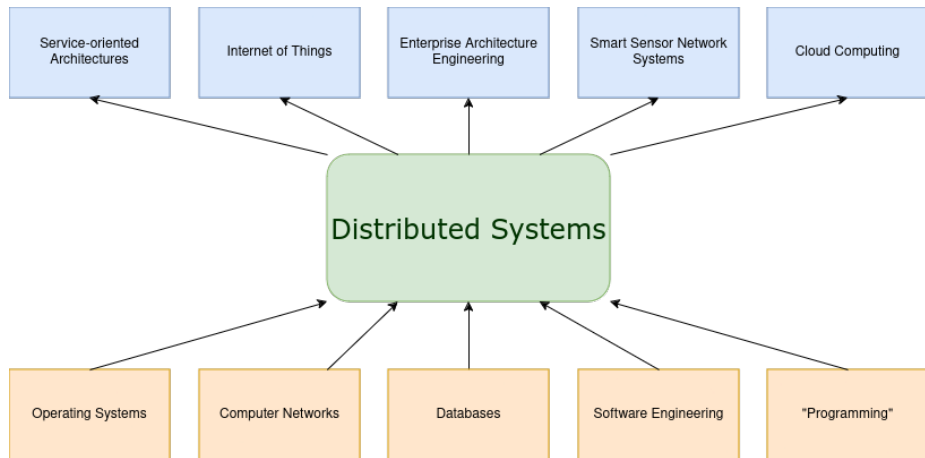
Distributed Systems

Inter-Process Communication

Prof. Dr. Oliver Hahm

Frankfurt University of Applied Sciences
Faculty 2: Computer Science and Engineering
oliver.hahm@fb2.fra-uas.de
<https://teaching.dahahm.de>

29.04.2024



Agenda

- Processes
- Communication
- Parameter Handling

Agenda

- Processes
- Communication
- Parameter Handling

- What is a program?
- What is a process?

Programs and Processes

- A **Program** is an executable piece of software including a set of instructions
- A **Process** is a **program** currently executed by an **operating system**

Programs and Processes

- A **Program** is an executable piece of software including a set of instructions
- A **Process** is a **program** currently executed by an **operating system**

Program Classification

- Available in a hardware-specific binary format (and thus including the machine instructions) to be directly executable by the Operating System.
Example: Windows *.exe and *.com files; UNIX ELF and a.out files
- Require an additional **Interpreter**, usually executing the statements sequentially.
Example: Unix shell scripts, PERL, JAVA scripts
- Available in machine-independent binary format (Byte-code) to be executed within a certain environment: **Virtual Machine**.
Example: JAVA *.jar files; Python script files

- What is a library?

Processes, Threads and LWPs

■ Processes:

- A **process** possess a environment which is **inherited** from its parent
- The OS manages **processes**
- Each process contains a **Process Control Block PCB**) which maintains its attributes

■ Threads:

- Individual tasks within a **process** may be individual assigned to **threads**
- A process can schedule several (concurrent) threads: **multithreading**
- Unix Operating Systems supporting POSIX **pthreads**

Inter-Process Communication (IPC)

- In order to cooperatively work on a common task processes need to exchange information

Inter-Process Communication (IPC)

- In order to cooperatively work on a common task processes need to exchange information
- A process shares common resources (e.g., memory) \Rightarrow threads may access these resources concurrently

Inter-Process Communication (IPC)

- In order to cooperatively work on a common task processes need to exchange information
- A process shares common resources (e.g., memory) \Rightarrow threads may access these resources concurrently
- Processes on the same computer also share common resources (e.g., the file system) \rightarrow this typically requires support from the OS

Inter-Process Communication (IPC)

- In order to cooperatively work on a common task processes need to exchange information
- A process shares common resources (e.g., memory) \Rightarrow threads may access these resources concurrently
- Processes on the same computer also share common resources (e.g., the file system) \rightarrow this typically requires support from the OS
- Processes in a distributed system have to rely on message passing

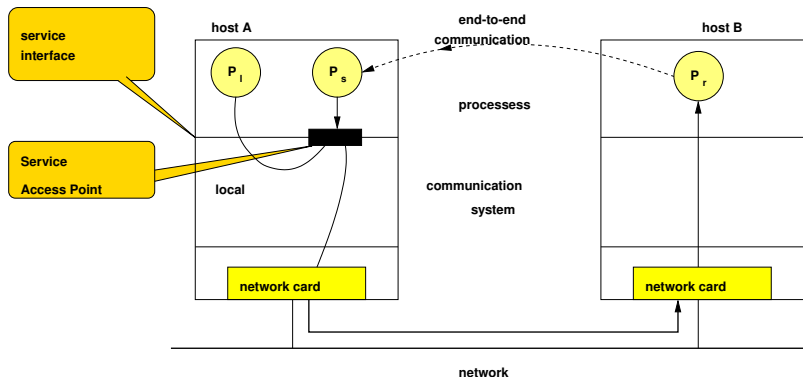
Inter-Process Communication (IPC)

- In order to cooperatively work on a common task processes need to exchange information
- A process shares common resources (e.g., memory) \Rightarrow threads may access these resources concurrently
- Processes on the same computer also share common resources (e.g., the file system) \rightarrow this typically requires support from the OS
- Processes in a distributed system have to rely on message passing

What type of information is exchanged?

- Occurrence of events
- Program flow information
- Program data

Generic Model for IPC



Agenda

- Processes
- **Communication**
- Parameter Handling

Which types of IPC do you know?

Types of Inter-Process Communication (IPC)

■ Files

An resource stored in the file system which can be accessed by multiple processes

■ Signals and Flags

Notify another process about the occurrence of an event

■ Pipes

An unidirectional channel between two processes (can be named or anonymous)

■ Shared Memory

A memory block that can be accessed by multiple processes

■ Message Queues

Processes use a queue for message exchange

■ (IP and Unix domain) Sockets

An inode or network based communication end point

Files

■ Linux

- File descriptors represent file handles
- Part of the POSIX API
- Per default every process owns three file descriptors (`stdin`, `stdout`, and `stderr`)
- File descriptors can be used for, e.g., reading, writing, seeking, or truncating a file

■ RIOT

- Virtual File System may be implemented by various backends
- Not all IoT devices provide persistent memory
- If available, persistent memory is often realized on flash memory → wear leveling is required

Signals and Flags

■ Linux

- POSIX signals
- Standardized messages to trigger a certain behaviour
- The receiver process gets interrupted
- If a signal is unhandled by the receiver, it will terminate

■ RIOT

- Thread flags
- Optional kernel feature
- Notify threads of conditions in a race-free and allocation-less way

Pipes

■ Linux

- A simplex FIFO, i.e., a unidirectional data channel
- One process accesses the write end, the other the read end of the pipe
- It can be anonymous or **named** via an inode in the file system

■ RIOT

- No equivalent available

Shared Memory

■ Linux

- POSIX shared memory objects
- A shared memory object can be **mapped** into the process' memory space
- Shared memory objects are accessed in a similar manner as files

■ RIOT

- Since most MCUs do not provide a MMU, all processes can typically access all memory regions ...

Message Queues

■ Linux

- **POSIX** and System V message queues
- Queues are named and can be shared via this name between processes
- Messages have priorities

■ RIOT

- Kernel messages and mailboxes
- Optional feature
- Block and non-block API available
- A thread may create a message buffer
- Mailboxes can be accessed by multiple processes

Sockets

■ Linux

- POSIX (or BSD) Sockets
- Common API for Internet and Unix Domain sockets
- A socket represents the endpoint of a communication endpoint

■ RIOT

- POSIX Sockets on top of the `sock` interface
- `sock` is currently implemented for ...
 - TCP
 - UDP
 - Raw IP
 - DTLS
 - DNS
- More lightweight and custom-tailored \Rightarrow less generic

Types of Inter-Process Communication (IPC)

Which type of IPC can be used for what?

- Files
- Signals and Flags
- Pipes
- Shared Memory
- Message Queues
- (IP and Unix domain) Sockets

Agenda

■ Processes

■ Communication

■ **Parameter Handling**

Data Types

- How many Bits does an int have?

Data Types

- How many Bits does an int have?
- How is a string stored in the programming language C? How in Java?

Data Types

- How many Bits does an int have?
- How is a string stored in the programming language C? How in Java?
- How many digits can be stored after the decimal point in a float?

- Which decimal number is represented by 0x0A?

- Which decimal number is represented by 0x000A?

- Which decimal number is represented by 0x000A?
- Which decimal number is represented by 0x0A00?

Parameter Handling

■ Heterogeneity Problem

- Different *encodings* (e.g., [ASCII](#), [UTF-8](#))
- Endianness → little endian vs. big endian
- Differing number formats

Parameter Handling

■ Heterogeneity Problem

- Different *encodings* (e.g., [ASCII](#), [UTF-8](#))
- Endianness → little endian vs. big endian
- Differing number formats

■ Possible solutions

- [Mapping](#) between local data representations
 - Sender uses its local representation, the receiver transforms it
 - ⇒ Requires $m \cdot n$ mappings (for n local representations and m different participants)
- *Canonical network representation* for all types
 - Requires $2n$ mappings (for n local representations)
 - Potentially unnecessary encoding

Common Network Representations: XDR

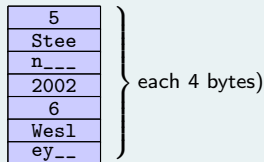
External Data Representation

- Defined by Sun as part of SunRPC
- Mostly Motorola 68000 data formats: ASCII; big endian, two complements; IEEE floating points, ...
- Compound data types: arrays, structures, unions
- No explicit data typing, i.e., no self-describing data

Example

```

struct {
    string author<>;
    int year;
    string publisher<>;
}
  
```



Common Network Representations: ASN.1 BER

- *ISO Abstract Syntax Notation Number 1, Basic Encoding Rules, ISO 8824, 8825, ITU X.409*
 - **Explicit** data types, i.e., the type information precedes all data fields
 - Commonly used: CANopen, LDAP, UMTS/LTE, VoIP, Encryption
 - Standard representation: (type, length, value)
 - **Drawback:** runtime costly (bit access)

Example

```
count ::= INTEGER
```

0 2	} Type (Identifier)
0 1	
1 A	

each 1 byte (hex)

Type Identifier:

		7	6	5	4	0
Class	Type	Tag				
Tag:	1	Boolean				
	2	Integer, ...				
	16	Sequence				
Type:	0	Primitive				
	1	Constructed				
Class:	00	Universal				
	01	Application...				

Common Network Representation: CDR

■ Common Data Representation

- Definition in [OMG CORBA 2.0](#)
- Use for CORBA IIOP protocol
- Sender uses its own format, "Receiver makes it right"
- Simple types (short, long, float, char, ...)
- Complex types (sequence, string, union, struct, ...)
- Alignment/Padding according to the multiple of the element length
- Big endian

Example

```
struct <string, unsigned long>
```

0	1	2	3	4	5	6	7	8	9	10	11	12	13	14	15
5				'S'	'T'	'E'	'E'	'N'				2002			
05	00	00	00	53	54	45	45	4E	00	00	00	00	00	07	D2
← Länge →									← Padding →						

Common Network Representations: JSON

- *JavaScript Object Notation* Data Interchange Format
 - Lean, **text based** exchange format
 - Independent of programming languages
 - RFC 7159, derived from ECMAScript
 - Easy to parse, many parsers available
 - Simple types (string, number, boolean, null)
 - Complex types (object, array)
 - An object is an unordered list of **name/value** pairs
 - A **name** is a **string** and the **values** may be a **simple type**, an **object**, or an **array**
 - An **array** is an ordered sequence of **values**

Example

```
{  
  "AUTHOR" : "Steen",  
  "YEAR" : 2002,  
  "PUBLISHER" : "Wesley"  
}
```

Problems

- Complex, compound parameter types
 - e.g., structs, arrays, require rules for serialization
- Addresses in parameters
 - No meaning at the destination's address space
 - Most simple solution: prohibit addresses, only allow call-by-value (e.g., SunRPC)
 - Use of a common, global address space if possible
 - Replace pointers by markers and reconstruct compound data structures at receiver side by pointers (e.g., DCE RPC)

Important takeaway messages of this chapter

- IPC is required to exchange information between processes (or threads)
- Various common concepts exist implemented differently for different operating systems
- If data is exchanged between hosts in the network a common interpretation of the data is required

